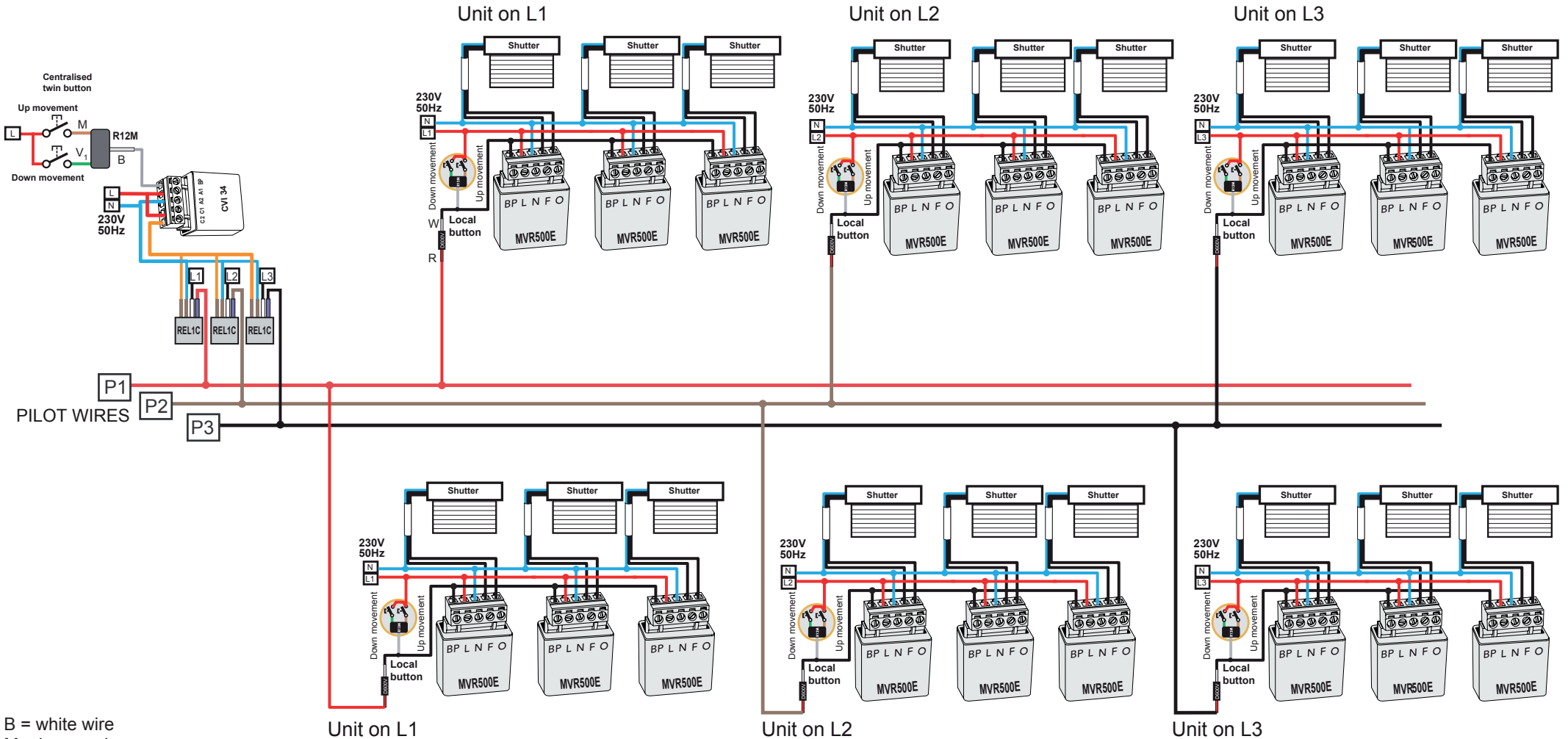


Three-phase: shutter unit centralisation with REL1C accessories



B = white wire
 M = brown wire
 R = red wire
 V₁ = green wire

IMPORTANT

Installer configuration enabling: **23 short presses**
 Installer configuration lock: **21 short presses**

REL1C

The REL1C accessory is a relay with a 230V~ coil and 230V~, 1A contact; it can be used for shutter centralisation in three-phase systems.