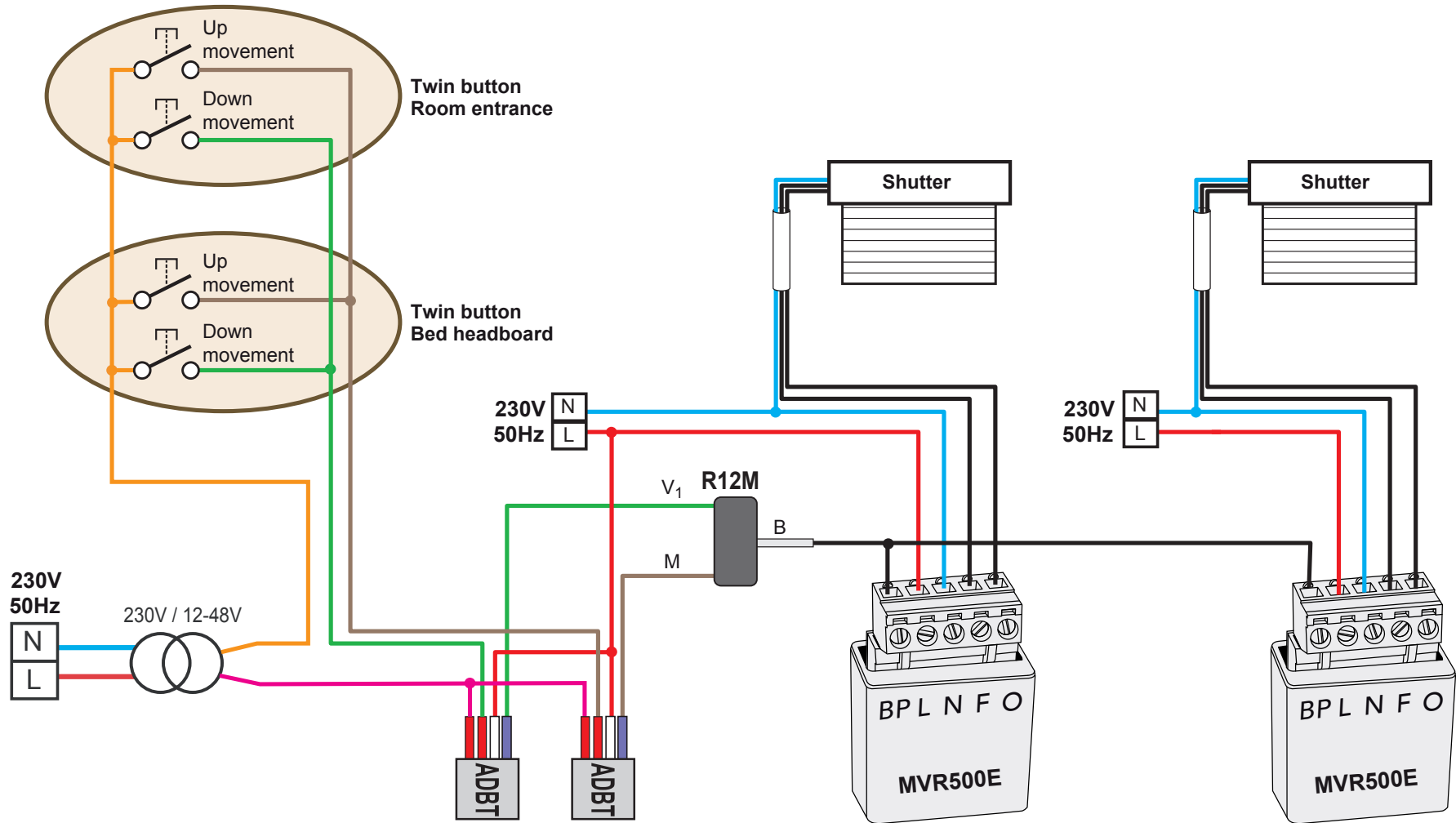


Wiring of 24V MVR500E shutter modules with the ADBT accessory
2 twin buttons (such as in a hospital room, for example)



B = white wire
M = brown wire
V₁ = green wire

IMPORTANT

Installer configuration enabling: **23 short presses**
 Installer configuration lock: **21 short presses**

ADBT

The ADBT accessory allows using low-voltage 12-48V AC or DC controls.

R12M

The installation of the accessory allows converting the two up and down movement information of a twin button on the same wire.