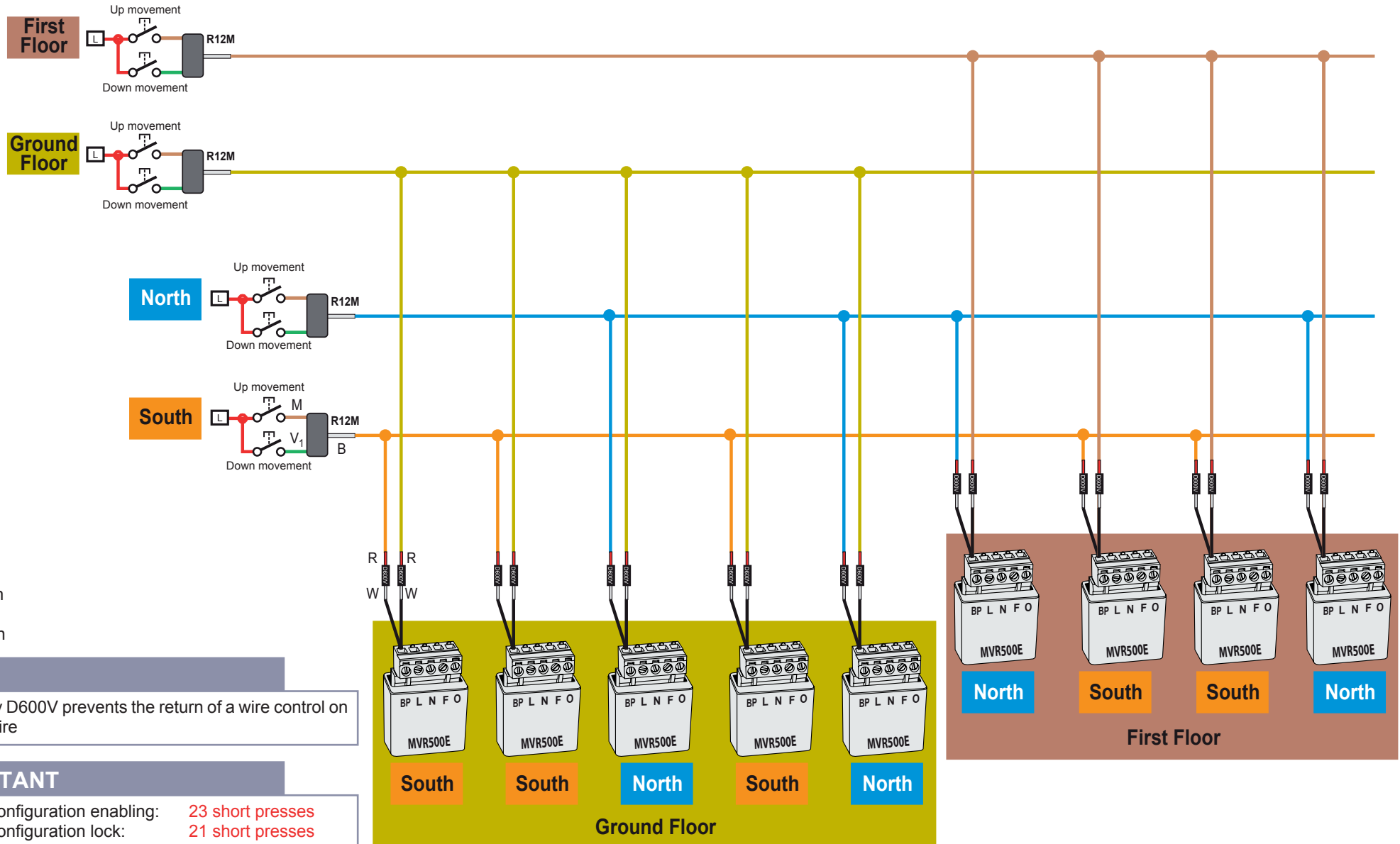


Module crossed centralisation: by floor (Ground and First floors) and by exposition (North and South)



B = white
 M = brown
 R = red
 V₁ = green

D600V

Accessory D600V prevents the return of a wire control on another wire

IMPORTANT

Installer configuration enabling: 23 short presses
 Installer configuration lock: 21 short presses