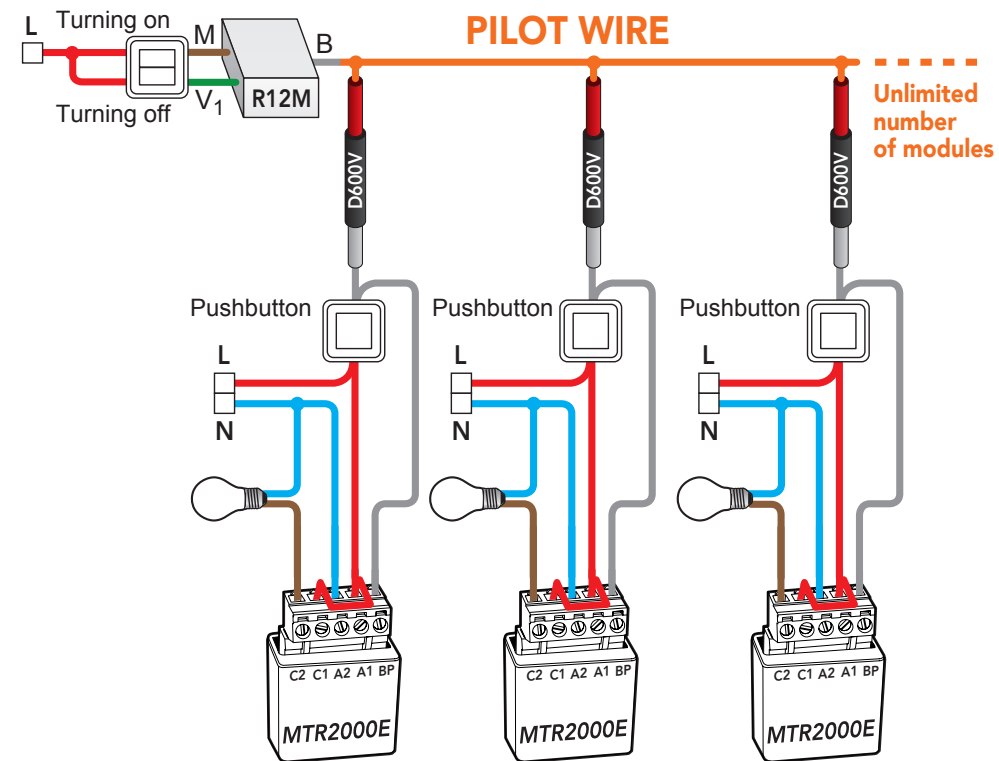
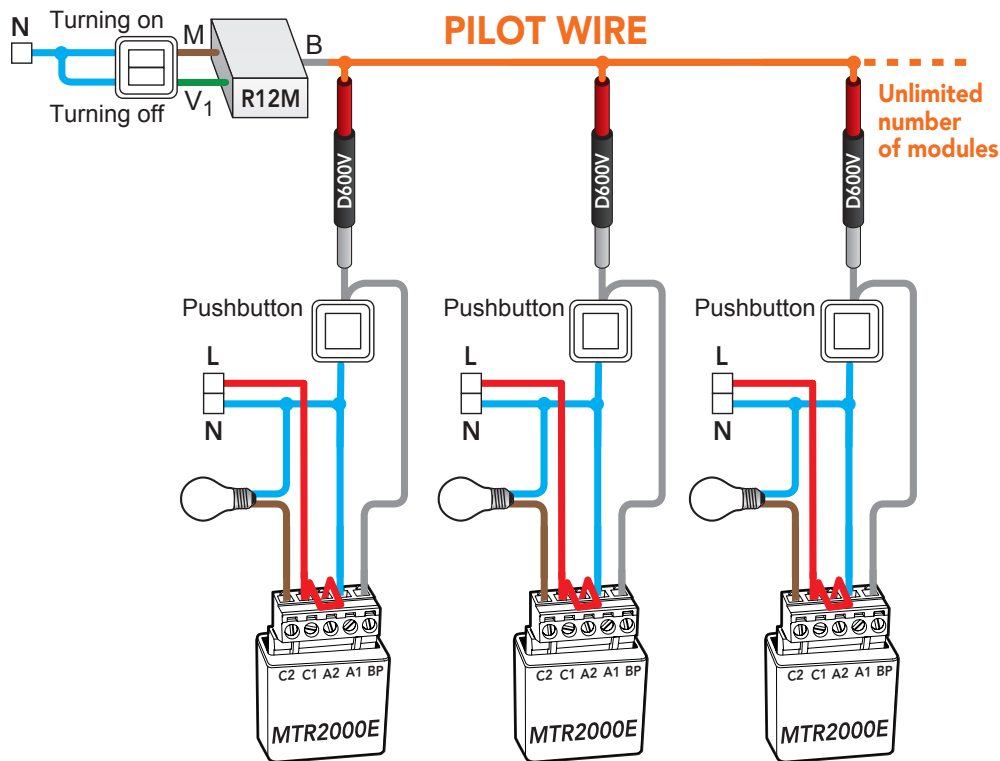


3-WIRE WIRING, WITH PUSHBUTTON COMMON TO NEUTRAL

4-WIRE WIRING, WITH PUSHBUTTON COMMON TO PHASE



B = white wire
M = brown wire
V₁ = green wire

CENTRALISATION ACCESSORIES
D600V item no.: 5454072
R12M Item no.: 5454073

D600V
The installation of the D600V accessory prevents the return to pilot wire of a local control.

R12M
The installation of this accessory allows converting, on the pilot wire, the two turning on and off information of the two buttons (or twin, not interlocked, button).