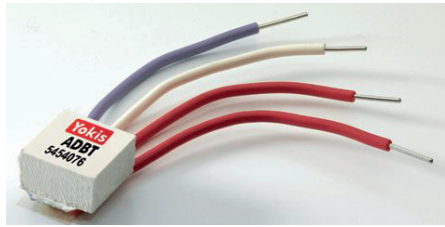


## TECHNICAL INFORMATION

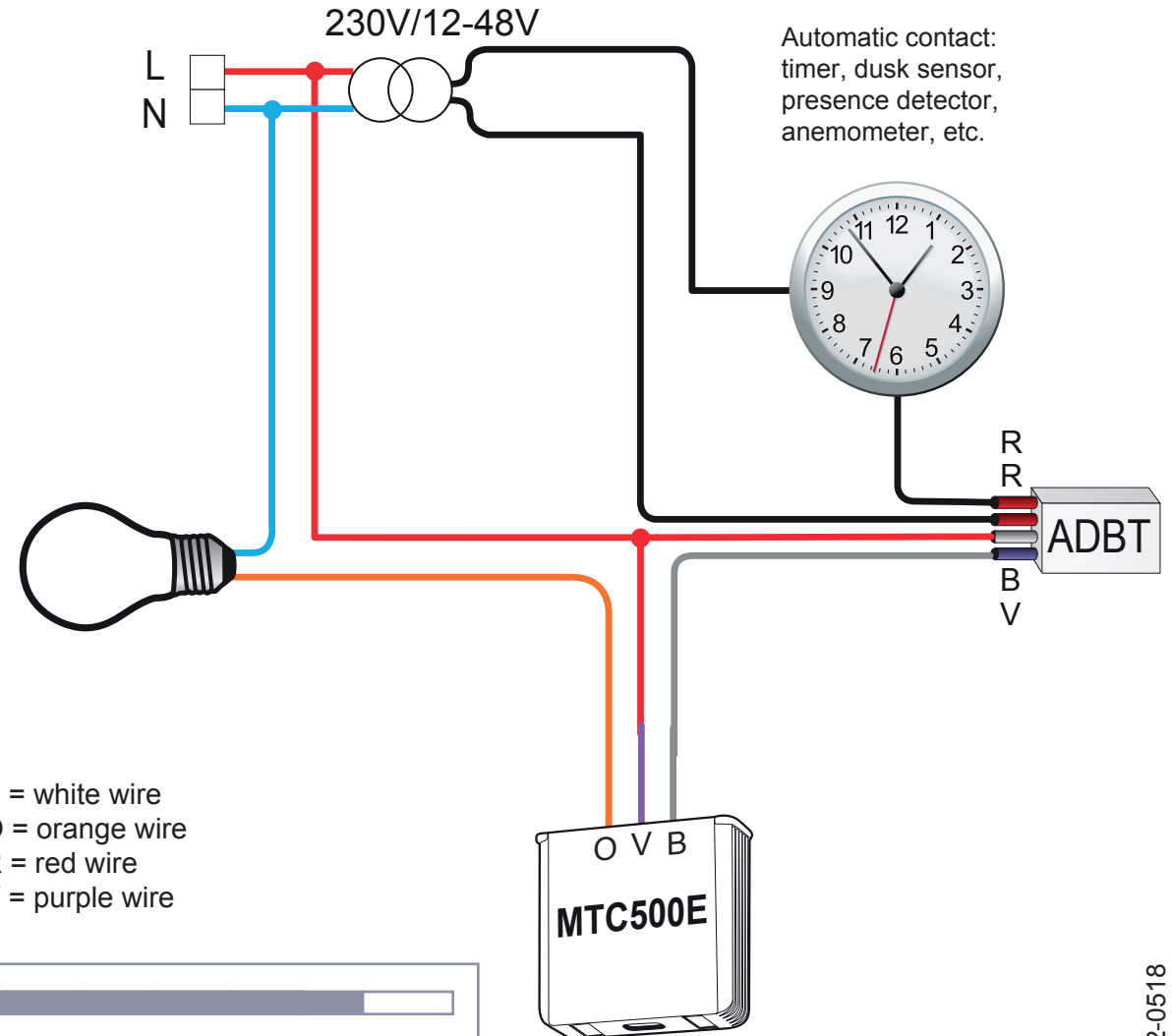


Model: ADBT  
 Item no.: 5454076  
 Input: 12/48Vac/dc 1 mA  
 Output: 230V 50 Hz 0.1A max.  
 Galvanic isolation: 2500 V RMS  
 Operating temperature: -20 to 50 °C  
 Protection: IP67 50°C  
 Dimensions: 15 x 15 x 7.5 mm  
 [0.59 x 0.59 x 0.30"]

## ADBT

The ADBT accessory allows using low-voltage 12-48V AC or DC controls.

## SWITCH CIRCUIT



B = white wire  
 O = orange wire  
 R = red wire  
 V = purple wire

