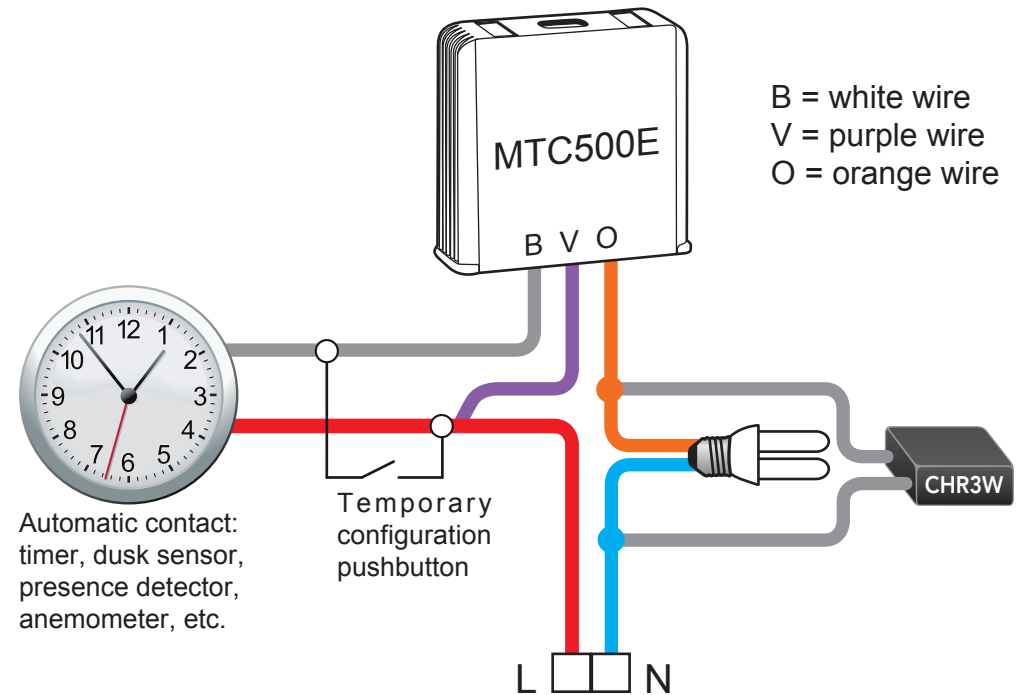


MTC500E flashing light module

The flashing light module also allows the direct piloting of standard energy-saving light bulbs (CFL) or LED bulbs. In this case, the CHR3W accessory must be connected in parallel with the bulb.

This accessory allows, even when bulb is off, the flow of a min. current through the module, just enough to ensure its correct operation.

ADDITION OF A CHR3W RESISTIVE LOAD PARALLEL WITH BULB



TECHNICAL INFORMATION

Model: CHR3W
Item no.: 5454070
Description: 3 W resistive load

