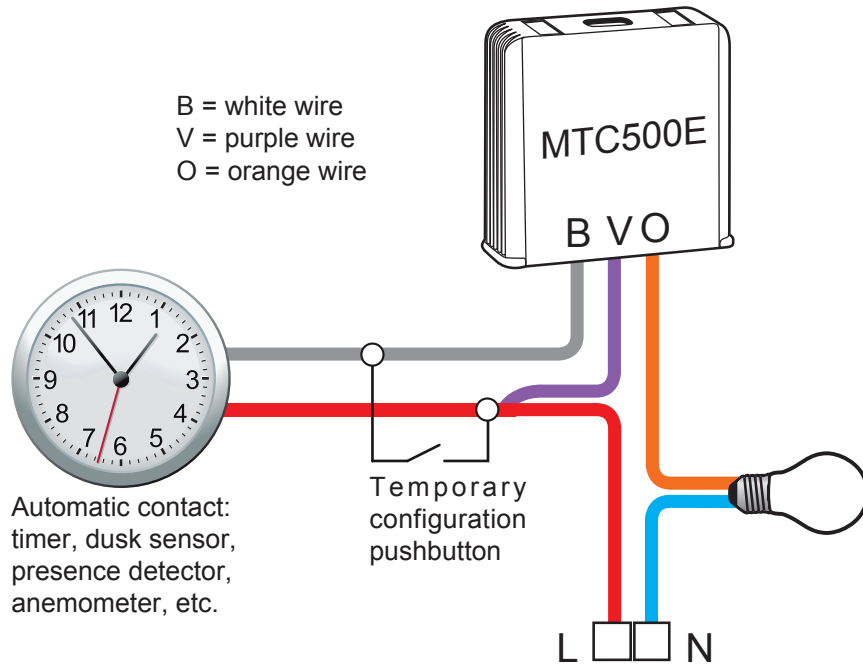
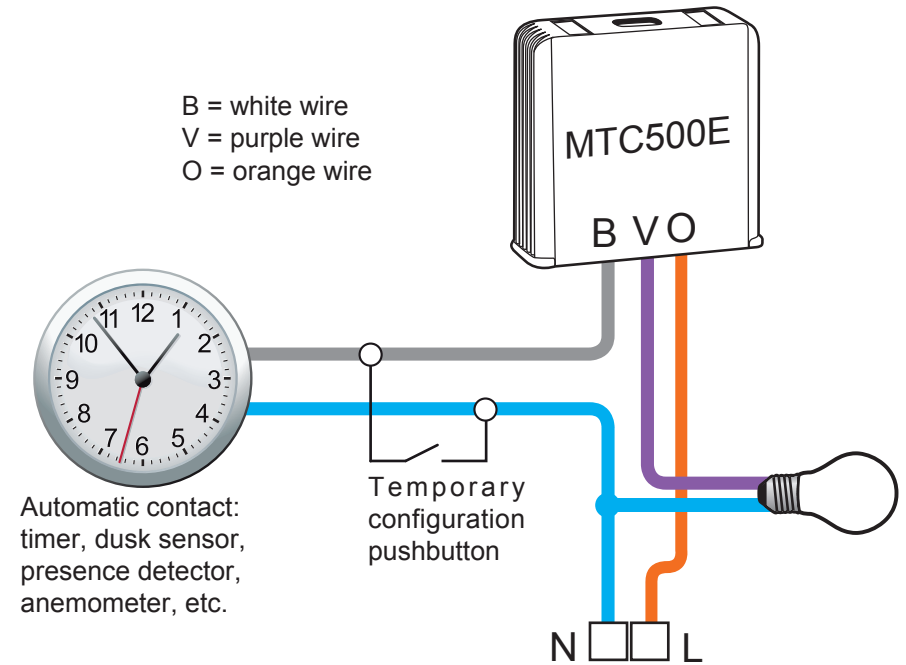


MTC500E WIRING WITH AUTOMATIC CONTACT COMMON TO PHASE



MTC500E WIRING WITH AUTOMATIC CONTACT COMMON TO NEUTRAL



TECHNICAL INFORMATION

Model: MTC500E
 Min. power: 5 VA max.: 500 VA
 Current: 1.3 A, max. 2.2 A
 Dimensions: 35 x 35 x 12 mm [1.38 x 1.38 x 0.47"]

