

#### DAILY SCHEDULER

Daily opening and closing times can be scheduled.

To do so, at the DESIRED TIME, make:

- 8 presses to store the closing time
- 9 presses to store the opening time
- 7 presses to store the intermediate position time

NOTE: In case of power supply failure, MVR500E deletes all scheduled values; it will thus be necessary to repeat the configuration to the desired times.

As an alternative, you can connect an external time switch or a twilight sensor through accessory CVI34 (Part no. 5454806).

#### IMPORTANT

Installer configuration enabling:  
Installer configuration lock:

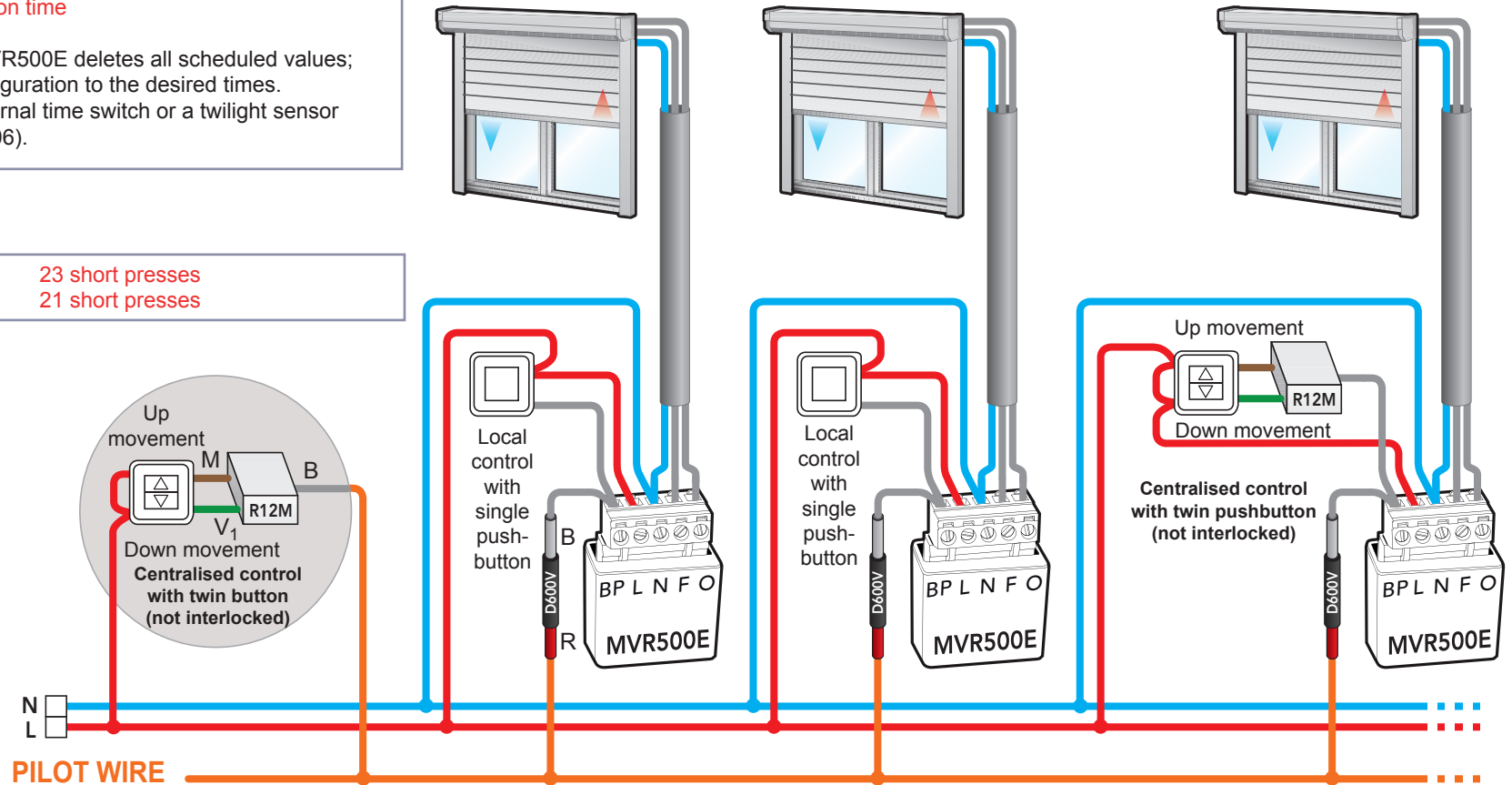
23 short presses  
21 short presses

#### D600V

The D600V accessory prevents the return to pilot wire of a local control.

#### R12M

The installation of this accessory allows sending the two Up and Down movement information of a twin button (not interlocked) on the same wire.



B = white wire  
M = brown wire  
R = red wire  
V<sub>1</sub> = green wire