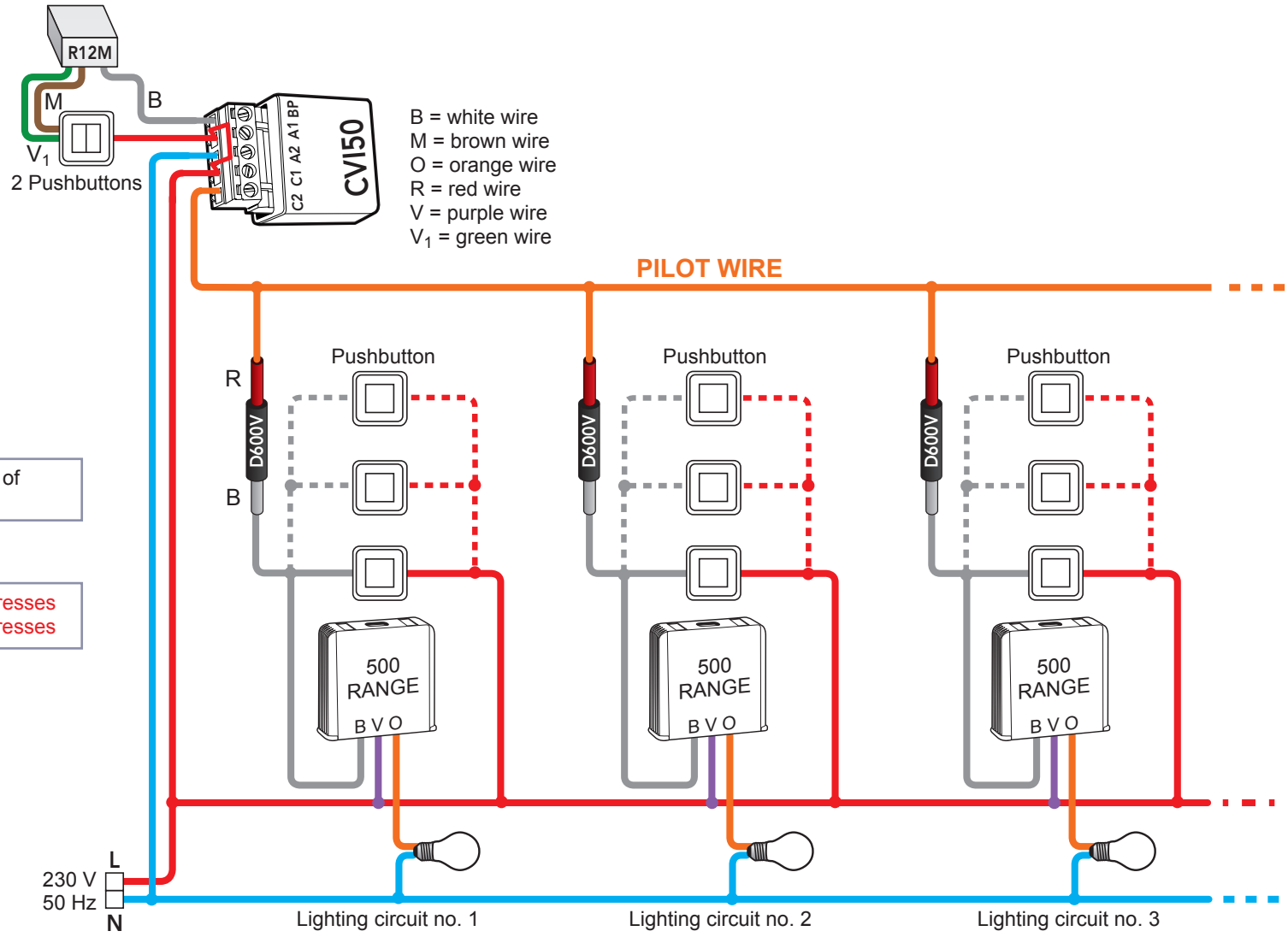


CENTRALISED 2-PUSHBUTTON CONTROL, VIA CVI50



CVI50
CVI50 allows centralising the 500 RANGE modules (MTR, MTT, MTV, MTK....) through two separate buttons: ON and OFF.

D600V
The D600V accessory prevents the return to pilot wire of a local control.

IMPORTANT
Installer configuration enabling: **23 short presses**
Installer configuration lock: **21 short presses**