

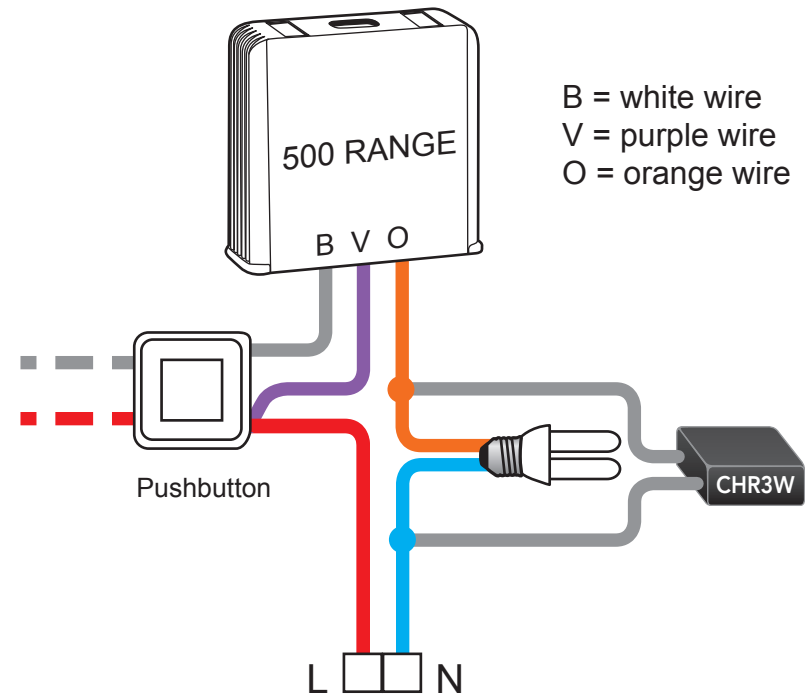
Toggle relay modules: MTR, MTT, MTM, MTC

All the relay modules of the 500 Range, with On/Off operation, allow the direct driving of standard energy saving bulbs (CFL) or LED bulbs. In this case, the CHR3W accessory must be connected in parallel with the bulb. This accessory allows, even when bulb is off, the flow of a min. current through the module, just enough to ensure its correct operation.

Dimmer Module MTV500, MTVT500, MTK 500

500 Range MTV500 and MTVT500 dimmer modules can be used with energy saving bulbs or LED bulbs **only if dimmable**. Always make a trial to check the compatibility between bulbs and dimmer. In this case as well, the CHR3W accessory must be connected in parallel with the bulb.

ADDITION OF A CHR3W RESISTIVE LOAD IN PARALLEL WITH THE BULB



**RADIO: MTV500ER Dimmer Module, with neutral**

500 Range MTV500ER radio dimmer can be used with energy saving bulbs or LED bulbs **only if dimmable**. Always make a trial to check the compatibility between bulb and dimmer. As the module features a neutral connection, the use of the CHR3W accessory is not necessary.

There are nevertheless special installations, mainly when LED lights are used, for which the CHR3W accessory can prove useful to eliminate flickering at low brightness levels.

TECHNICAL INFORMATION

Model: CHR3W  
Item no.: 5454070  
Description: 3 W resistive load